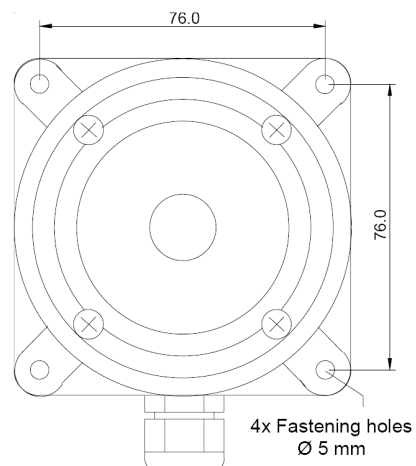
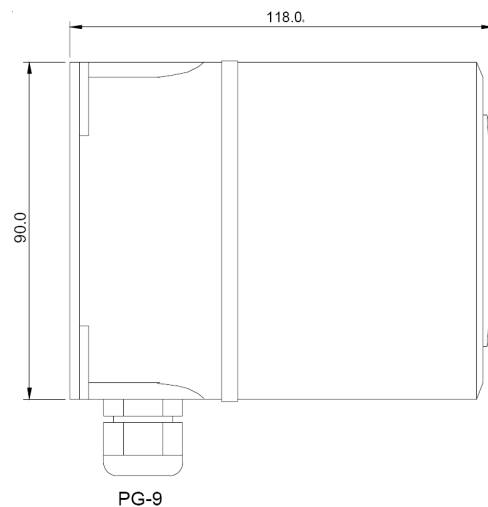


Weatherproof (IP-66) telephone tone caller unit operated by ringing voltage. It can be connected directly in parallel with any telephone equipment on a standard analogue telephone line (PABX, PSTN). No additional power source is required. It provides loud adjustable output (85-105 dBA). Recommended as an additional ringer to telephones in large halls, workshops, weather-exposed and noisy areas.



- FEATURES**
- Telephone line powered (60-120V AC),
 - Loud 105 dbA output
 - 120 Hz modulated buzz
 - Volume control setting via internal potentiometer
 - Maintenance free operation
 - Cable gland (PG-9)



SPECIFICATIONS	
Input voltage	60 - 120 V AC (ringing voltage)
Output SPL at 1m	85 - 105 dB
Frequency	120 Hz
Temperature range	-20° to +70°C
Colour	Yellow case with black base
IP rating	IP-66
Dimensions (φ x L)	90 x 118 mm
Weight	0,4 kg
Approvals / Compliance	CE, BABT