

The USC-220 is a robust analogue telephone for workshops, engine room, emergency generator room etc. The station is used like a normal telephone, with the additional feature of using a headset if noise conditions requires. The telephone is including a call relay, activated by ringing voltage, for external signalling devices.

Type approved by DNV

FEATURES

- Full duplex and PTT mode
- Programmable gains and volume
- Powered by telephone line only
- Active telephone circuitry.
- Full numeric keyboard (DTMF)
- Connection for handset
- Connection for headset
- Calling relay with delay (5 sec)
- Headset on/off switch (hook switch) with status LED
- High intensity ringing indicator LED
- Delivered with 2 cable glands

OPTIONAL

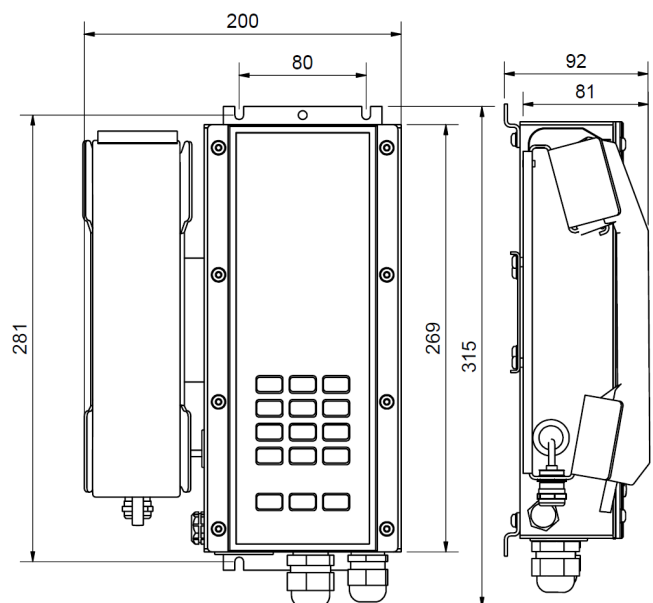
- Headset with boom mic
- Handset with holder
- Protective front door
- Built into cabinet for extra protection and stowing headset (USC-220CAB)



USC-220 with optional handset



OPTIONAL HEADSET



SPECIFICATIONS

Built-in ringer sound	75 dB at 1m
Relay contact	24V DC 1A
Colour	Dark blue / black
Material	Aluminium (Seawater resistant)
Temperature range	-25° to +70°C
IP rating	IP-65
Dimensions (H x W x D)	315 x 90 x 78 mm
Weight	1,5 kg
Approvals / Compliance	DNV A-12291, CE, IEC 60945