

UPTT-1

HAND MICROPHONE PANEL

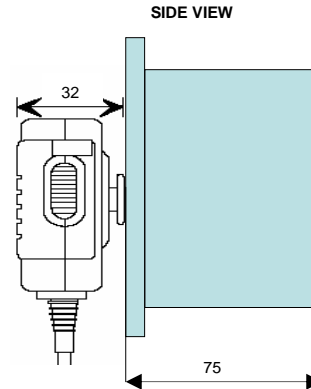
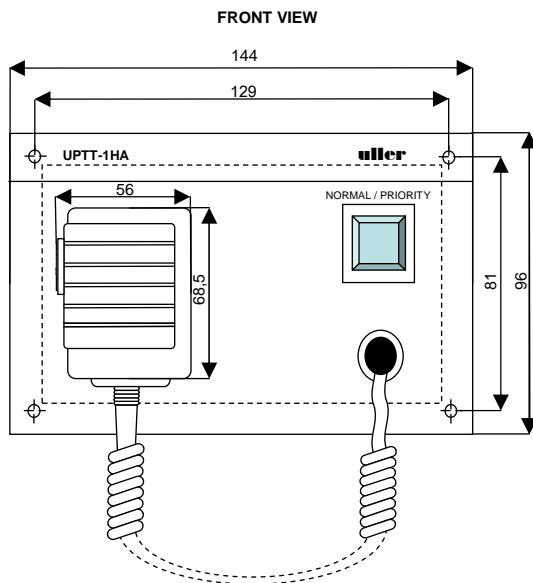
Priority Microphone panel with splash-proof high quality hand microphone with PTT button and multipurpose switch (priority microphone, alarm signal). Simple operation with a robust, compact and attractive appearance. Available with in two versions, UPTT-1PA with preamplifier, UPTT-1HA with Alarm button. Recommended for Wheelhouse and Control Room consoles, bridge wing stations and general use.

FEATURES

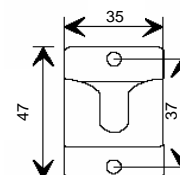
- Splash-proof hand microphone with PTT button and holding bracket.
- Handheld microphone for PA and Talk-Back Systems and other applications.
- Priority Emergency microphone

VARIANTS

- UPTT-1PA with 1,2m spiral cord, general purpose button and preamplifier
- UPTT-1HA with 1,2m spiral cord, general alarm button, without preamplifier



SPECIFICATIONS	
Characteristic	Omni Directional
Frequency Range	50 Hz— 5 KHz
Output level (1 KHz)	2,5 mV / Pa
Sensitivity (1 KHz)	-52dB +/- 4dB (rel.1V/Pa)
Output Impedance (1KHz)	300 Ohm +/- 30%
Material	ABS and Stainless Steel
Color	Black
Temperature	-10C to +50 C
Moisture load	<= 90%
IP rating	IP-54
Dimensions	96 x 144 x 75 mm (HWD)
Weight of the microphone	150g net (w/o cable)
Approvals / Compliance	CE



HOLDER DIMENSIONS