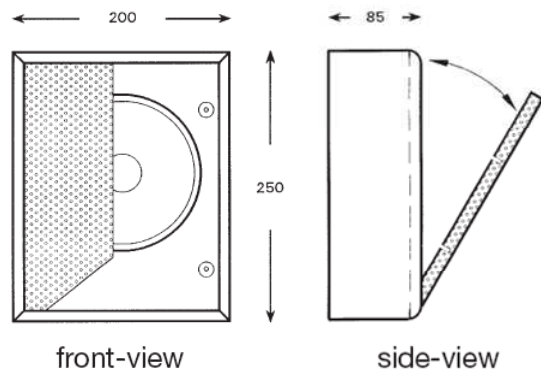


This speaker have been developed according to the latest knowledge in plastic technology. The high quality impact and scratch resistant plastic corpus ensures best boom and swing release. A broadband high performance loudspeaker chassis (dia. 165mm) with an integrated high tone cone and high quality matching transformer ensures brilliant music play back and excellent speech reproduction


FEATURES

- Easy mounting thanks to latch-mounted grille, it can be lifted off with a screwdriver
- Multiple surface mounting. Can be mounted horizontal, vertical or to the ceiling.
- Impact and scratch resistant cover
- Available also in 20Ω version (Optional)
- Fitted volume control available, can be set with a screwdriver or enclosed knob (Optional)
- Available in all RAL colors (Optional)
- Version with built in relay available (Optional - suffix R)



SPECIFICATIONS	
Load rating (music capacity)	10 (15) W
Impedance	100 V / 8 Ω
Transformer tapplings	10 / 5 / 2.5 W
Frequency range	90 - 16000 Hz
Sound pressure at 1W / 1m	96 dB
SPL Pmax/1m	107 dB at 0.5 kHz
Angle of refl. beam (-6dB) 1 / 4 / 8 kHz	90° / 55° / 40°
Speaker diameter - Φ	165 mm
Dimensions (H x W x D)	250 x 200 x 85 mm
Weight	Approx. 1.7 kg
Approvals/ Compliance	CE BS 5839 (Optional)

