

UBS series small cabinet speakers are cost efficient, attractive appearance and easy to mount. The high-quality impact and scratch resistant plastic corpus ensures best boom and swing release. "Soft line" cabinet design combined with nice steel front grille cover makes it suitable in cabins and offices .



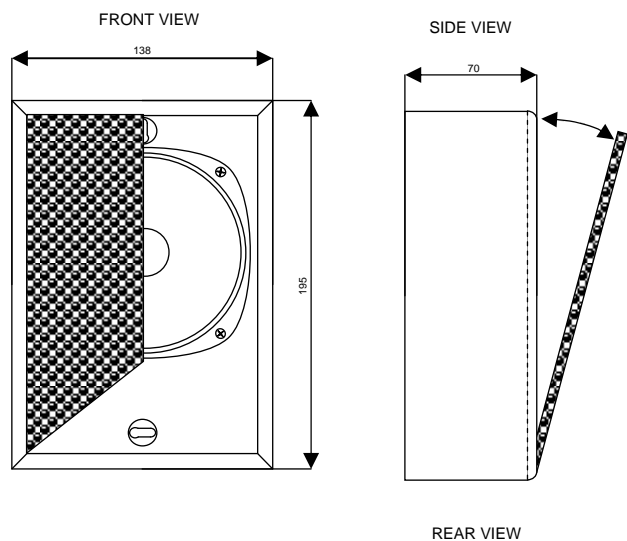
Optional volume control and mounting bracket



Optional volume control

FEATURES

- Easy mounting thanks to latch-mounted grille, it can be lifted off with a screwdriver
- Multiple surface mounting. Can be mounted horizontal, vertical or to the ceiling.
- Impact and scratch resistant cover
- Fitted volume control available, can be set with a screwdriver or enclosed knob (Optional)
- Mounting bracket available, allowing the speaker to be turn in any required direction (Optional)
- Available in all RAL colors (Optional)
- Version with built in relay available (Optional - suffix R)



SPECIFICATIONS	
Load rating (music capacity)	6 (10) W
Impedance	100 V / 8 Ω
Transformer tapings	6 / 3 / 1.5 W
Frequency range	190 - 17000 Hz
Sound pressure at 1W / 1m	95.5 dB
SPL Pmax/1m	104 dB at 4 kHz
Angle of refl. beam (-6dB) 1 / 4 / 8 kHz	180° / 138° / 44°
Speaker diameter - Φ	130 mm
Dimensions (H x W x D)	195 x 138 x 70 mm
Weight	Approx. 0.9 kg
Colour (suffix W, B)	Alpinewhite / Black
Approvals/ Compliance	CE BS 5839 (Optional)

