

This ceiling speaker is equipped with 2 loudspeakers as well as with 2 transformers. Thanks to placing two speakers inside one chassis, this speaker is space-saving solution for A/B division and wiring of the required alarming loudspeakers according to DIN EN 60849. Advantage above the usual A/B wiring (2 separate units) is the same, high level of operating range. In case of a line failure no under served range will occur. Such solution has a positive impact on speaking comprehensiveness and on the efficiency and safety of alarming signals.

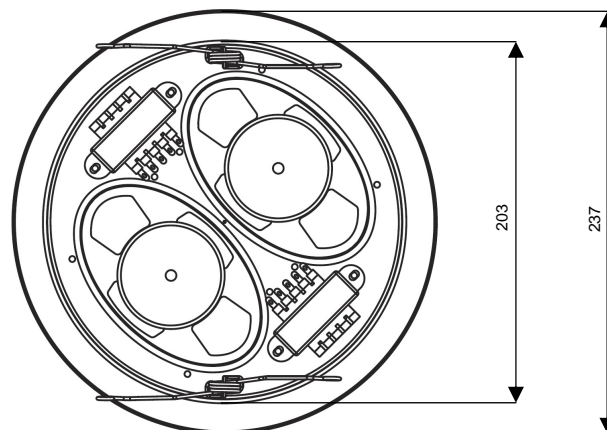


Easy to mount cabinet

**FEATURES**

- Easy mounting thanks to two strong holding springs,
- 2 pieces high-power 130 mm oval wide band chassis with high tone cone and 2 high-quality transformers enable a secure A/B wiring
- Speaker have only 110 mm installation depth and can be mounted horizontal, vertical both to the ceiling, as well as to the wall
- Impact and scratch resistant cover
- This cabinet speaker can be delivered with steel-pot fire protection
- Can be ordered according to British standard 5839 (part 8). It contains of a model with a ceramic-clip, thermo-backup and a fire-proof wire (Optional suffix FD)
- Available in a moisture proof impregnated (Optional "FI-100")
- Available in all RAL colors (Optional)

REAR VIEW


**SPECIFICATIONS**

Load rating (music capacity)	2 x 6 (15) W
Impedance	100 V / 8 Ω
Transformer tapings	2 x 6 / 3 / 1.5 W
Frequency range	90 - 18000 Hz
Sound pressure at 1W / 1m	98 dB
SPL Pmax/1m	197 dB at 6 kHz
Dimensions (Φ x instal. depth)	237 x 110 mm
Cut-out hole Φ	204 mm ± 5 mm
Weight	Approx. 2.2 kg
Colour	Alpinewhite
Approvals/ Compliance	CE EN 60849 BS 5839 (Optional)

SIDE VIEW

