

Weatherproof 30 Watt Horn Loudspeaker with 100V line transformer, and 8 Ohm direct connection. The speaker has a modern and appealing appearance in white-grey colour. It is made of high impact ABS material with adjustable mounting bracket of stainless steel. Recommended for outdoor deck and machinery rooms.

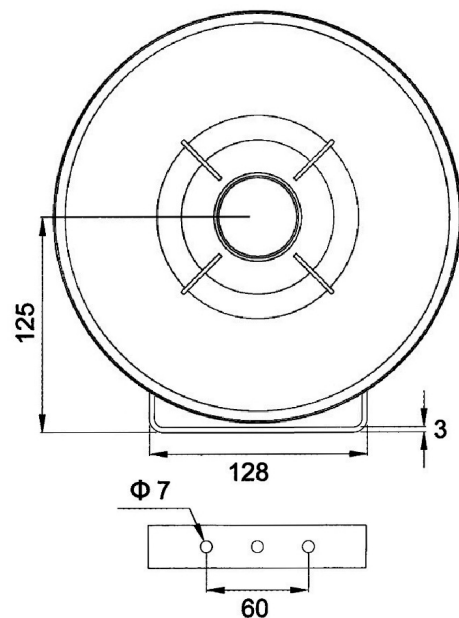

FEATURES

- High efficiency quality speaker for alarms and voice paging
- Outstanding sound pressure with good frequency response
- High impedance 100V connection for Public Address systems
- Easy installation tilt-able mounting bracket
- Flexible fly lead of 1.2m with transformer tapping on cable.
- Direct 8 Ohm connection on cable
- Low impedance 8 Ohm connection for Talkback systems (20 Ohm optional)
- Available in alternative colours (Optional)

SPECIFICATIONS

Load rating	30 W
Impedance	100 V / 8 Ω
Transformer tapings	30 / 15 / 7.5 / 3.75 W / 8Ω / OFF
Frequency range	400 - 7000 Hz
Sound pressure at 1W / 1m	110 dB
SPL Pmax/1m	125 dB
Radiation angles	Horizontal - 100° / Vertical - 30 °
IP rating	IP-66
Dimensions (φ x L)	238 x 302 mm
Weight	Approx. 2.2 kg
Colour	Light Grey (RAL 7035)
Material Housing	High Impact ABS
Material Mounting Bracket	Stainless Steel
Approvals/ Compliance	CE

FRONT VIEW



SIDE VIEW

