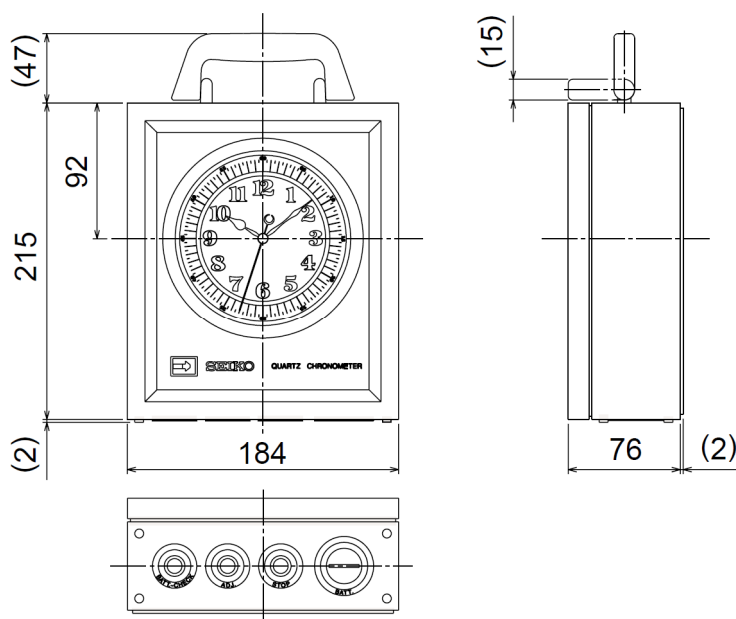


QM-11 is very reliable standard clock. Extreme accuracy is achieved by using selected quartz with daily loss/gain only $\pm 0,1s$ at $+25^{\circ}C$ operating temperature.

FEATURES

- Average daily range of difference 0,04s
- Operates on 3 R20/D batteries
- 12 months battery life-time
- 40h backup battery
- 0,5s interval movement of second hand
- Resistance to humidity of 90% at $+40^{\circ}C$



SPECIFICATIONS

Operating voltage	3,3 - 4,8V DC
Current consumption	550 μ A at 4,5V DC
Material	Sen Wood
Colour	Brown wood,
Temperature range	-10° to $+50^{\circ}C$
IP rating	IP-33
Dimensions (H x W x D)	215 x 184 x 76 mm
Weight	2,2 kg
Approvals / Compliance	CE